



Amazon2 700 Series

Compact Size High Performance GigE Camera

The Amazon2 700 Series is a new group of industrial digital cameras that are compliant with both the Gigabit Ethernet and with the GigE Vision standards. They provide high quality performance with various resolutions and frame rates; all at very competitive pricing. A list of outstanding features provide excellent flexibility for the user! The small housing (29mm(W) x 29mm(H) x 51mm(D) and 58 g) will fit most industrial camera applications.

Select one of our new GigE Vision Amazon2 700 Series cameras and make your industrial vision project more successful and efficient.

Key Feature

- VGA to 2MP High Resolution
- Max. 100fps (656x488 pixel)
- GigE Vision Interface
- Compact Sized Form Factor
- CCD Image Sensor (Global Shutter)
- External Hardware Trigger Support (Photo Coupler)
- C/CS Mount (Back focal length adjustable)
- Cable Lock with screws for stability
- Power over Ethernet (PoE)
- 29(W)x29(H)x51.1(D)mm (Without Lens adapter)

Applications

- Machine Vision (Semiconductor, Automotive, Robotics)
- Medical (Microscopy, Dental Medicine)
- Sport Science (Motion Analysis, Physical)





Amazon2 700 Series

Compact Size High Performance GigE Camera

Specifications

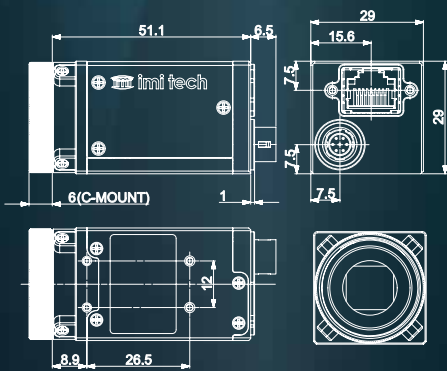
* IMx : IMB-Mono, IMC-Color

Model	IMx-720G	IMx-717G	IMx-716G	IMC-715G2
Image Sensor	1/1.8" Sony CCD	1/2" Sony CCD	1/3" Sony CCD	1/3" Sony CCD
Sensor Name	ICX274 AL/AQ	ICX267 AL/AK	ICX445 ALA/AQA	ICX692 AQA
Resolution	Megapixel	2.0MP	1.4MP	1.3MP
	HxV	1624x1232(Mono) 1624x1228(Color)	1388x1040(Mono) 1388x1036(Color)	1288x964(Mono) 1288x960(Color)
Pixel Size	4.40µm x 4.40µm	4.65µmx4.65µm	3.75µmx3.75µm	4.08µmx4.08µm
Frame Rate	16 fps	20 fps	30 fps	30 fps

Model	IMx-715G	IMx-712G	IMx-711G	IMx-710G
Image Sensor	1/3" Sony CCD	1/2" Sony CCD	1/3" Sony CCD	1/4" Sony CCD
Sensor Name	ICX204 AL/AK	ICX414 AL/AQ	ICX424 AL/AQ	ICX618 ALA/AQA
Resolution	Megapixel	0.78MP	0.3MP	0.3MP
	HxV	1032x776(Mono) 1032x772(Color)	656x488(Mono) 652x484(Color)	656x488(Mono) 652x484(Color)
Pixel Size	4.65µmx4.65µm	9.90µmx9.90µm	7.40µmx7.40µm	5.60µmx5.60µm
Frame Rate	35 fps	90 fps	90 fps	100 fps



Amazon2 700 Series floor plan



Common Specifications

Digital Interface	Gigabit Ethernet
Transfer Rate	1000 Mbps
Scanning System	Progressive Scan
Shutter Type	Global Shutter
Data Path	8 or 12 bit B/W (YUV 4:2:2 / YUV 4:1:1)
Binning	2x2 (Mono only) * Color/Mono is available for IMx-720G
ROI	Partial Scan (Unit:4x4)
Trigger	External or Software Trigger with various mode
I/O Port	Ext. Trigger 1 opto-isolated input line, Strobe 1 opto-isolated output line
Memory Save/Load	9 Channels (0:factory, 1~4:feature, 5~8:mode/feature)
Gain Control	0 ~ 18 dB (Manual or Auto)
Shutter Speed	1 µsec ~ 3600 sec
Control Functions	Brightness, Sharpness, Gamma, Auto-gain, Auto-Exposure, Auto-Shutter, (Saturation, Auto White Balance, Hue)
Lens Mount	C/CS Mount
Operating Temp.	-5°C~45°C
Storage Temp.	-30°C~60°C
Supply Voltage	+8 VDC ~ 24 VDC / PoE
Power Consumption	Max.2.7W(@12VDC), Max.2.5W(@PoE) 802.3af Max.3.0W(@12VDC), Max.3.2W(@PoE)for IMx-720G/ IMx-717G only
Dimension	29(W) x 29(H) x 51.1(D) mm (without lens adapter)
Weight	< 58 g

imi tech

431-767 경기도 안양시 동안구 학의로 268, 616호(관양동, 안양메가밸리)
 #616, Mega Valley, 268, Hagui-Ro, Dongan-gu, Anyang-si, Gyeonggi-do, Korea
 TEL +82 31 423 9801, +82 70 4361 4516~8(Oversea)
 +82 70 4361 4511~3(Domestic) FAX +82 31 423 9803
 E-mail world@imi-tech.com (Oversea), sales@imi-tech.com (Domestic)
 Homepage www.imi-tech.com

* All specifications are subject to change without notice. Ver 1.0 2012.11