

HAN SERIES

FIREWIRE DIGITAL CAMERA LINEUP

COLOR

Compact Form Factor
Unbeatable Frame Rate
External Trigger Mode 0 ~ 5, 14
Multi Camera Auto Sync.
Opto-Isolated I/O
Industrial Screw Lock Cable Support



16FPS at 1600x1200

IMI HAN SERIES IMC-1200FT/1140FT/1080FT

Overview

The HAN SERIES' comprises most of the feature in a ULTRA COMPACT form factor while supporting the highest frame rate compared to competing models. The small form factor provides more versatility in space and weight



considerations to benefit the actual operation and installation. Every unit has passed our rigorous testing procedure to ensure reliability even in mission critical applications.

*FIREWIRE WITH EXTERNAL TRIGGER
INDUSTRIAL LOCK SCREW CONNECTOR*



Features

The fully IIDC 1.31 compliant HAN SERIES' support 16 FPS at 1600 x 1200 with rich in features necessary for all applications. External Trigger supports mode 0, 1, 2, 3, 4, 5 and 14 which is unique compared with others. All models support multi camera auto sync which is ideal for application for multiple cameras. Other advanced features such as one-shot and multi-shot capability. RS232 Pass through, 1us ~ 65s shutter speed, Fast Format 7 Partial Scan, horizontal and vertical Binning mode 1x2, 2x2(IMC-1200FT only) provides maximum flexibility for real applications. HAN SERIES' are equipped with industrial screw lock cable support to ensure stable camera connection. Latest HAN SERIES' firmware can be upgraded via FIREWIRE, obtainable together with SDK and Demo Applications from our website.



Applications

Machine Vision
Semi Con Inspection
F&B Inspection
Microscopy & Medical
Industrial Analysis
Bar Code, OCR, OCV

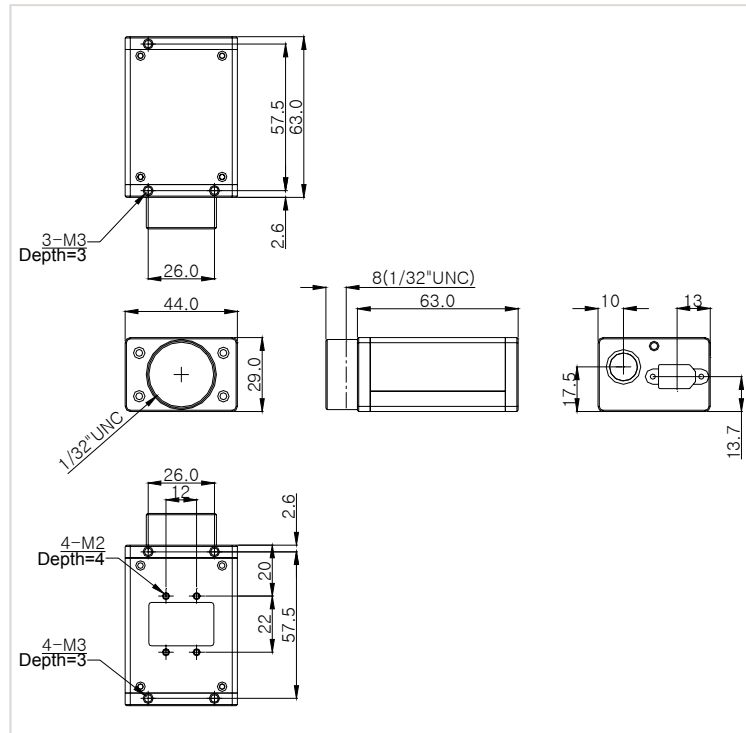


IMI TECHNOLOGY CO., LTD.

#2 Eun-Seok Bldg. 729-1 Yeoksam-Dong
Gangnam-Gu, Seoul 135-080, Korea
Tel : 82-2-539-6227 Fax : 82-2-539-6358
Email : w3master@imi-tech.com
Website : www.imi-tech.com

For Sales Inquiry and Technical Support ▶

Dimension (in mm)



Specifications



Features	IMC-1200FT	IMC-1140FT	IMC-1080FT
Image Sensor	1/1.8" progressive scan CCD Sony ICX274AQ	1/2" progressive scan CCD Sony ICX205AK	1/3" progressive scan CCD Sony ICX204AK
Cell Size(um)	4.60 x 4.60	4.65 x 4.65	4.65 x 4.65
Effective pixels	2,010,000 pixels	1,450,000 pixels	800,000 pixels
Max Resolution	1600 x 1200	1388 x 1036	1024 x 768
FPS at Max resolution	16 FPS(Format 7 mode 0)	20 FPS(Format 7 mode 0)	36 FPS(Format 7 mode 0)
Power Requirements	TBD	TBD	TBD
Data path (Color)	8/12 bit Raw Bayer / 16bit YUV 4:2:2 (Optional)		
Shutter Speed	1usec~65sec		
Gain Control	0 ~ 27 dB		
Gamma	0.4~2.5		
External Trigger	Mode 0, 1, 2, 3, 4, 5, 14		
Signal to Noise ratio	56dB or better		
Video Out Interface	IEEE-1394 (400Mbps, Supply Voltage 8 ~ 30V DC from cable)		
1394 DCAM version	IIDC 1.31		
Lens Mount	C Mount		
Advanced Features	Pixel Binning via Format7 (2x2, 1x2)-IMC-1200FT Model Only / RS232(SIO)-Pass Through / Region of Interest via Format7 (sub-windowing 4x4) / One shot & Multi shot / Multi-Camera Auto Sync / Detachable Filter Design / Opto-Isolated I/O / Industrial Screw Lock Cable Support		
Regulations	FCC, CE, MIC, ROHS		
Operation Temperature	-5°C ~ 45°C		
Dimensions / Weight	44 (W) x 29 (H) x 63 (D) mm / approx. 110 gram		
Supplied Accessories	Lens cover, User's Manual, Demo Application		

Note : Specification may subject to change without notice.