

RHEIN SERIES

FIREWIRE DIGITAL CAMERA LINEUP

COLOR

16 FPS at Max Resolution
External Trigger Mode 0 ~ 5, 14
Multi Camera Auto Sync.
Fast Format 7 Partial Scan
Binning Mode Horizontal / Vertical



16FPS at 1600x1200

IMI RHEIN SERIES IMC-202FT / 147FT / 142FT



Overview

The RHEIN SERIES are Digital Area Scan CCD Cameras with FIREWIRE Interface and external Trigger for the most demanding industrial applications. Equipped with Sony Progressive Area Scan CCD, RHEIN SERIES provide high image quality while 100% product testing ensures maximum stability and consistency.



*FIREWIRE INTERFACE WITH
EXTERNAL TRIGGER*



Applications

Machine Vision
Semi Con Inspection
F&B Inspection
Microscopy & Medical
Industrial Analysis
Bar Code, OCR, OCV

Features

The fully IIDC 1.31 compliant RHEIN SERIES' support up to 16 FPS at 1600 x 1200 while rich in features necessary for all applications. External Trigger supports mode 0, 1, 2, 3, 4, 5 and 14 which is unique compared with others. All model supports multi camera auto sync which is ideal for application for multiple cameras.

Other advanced features such as one-shot and multi-shot capability. RS232 Pass through, 1us ~ 65s shutter speed, True Speed Format 7 Partial Scan, horizontal and vertical Binning mode 1x2, 2x2 would provides maximum flexibility for real applications. Latest RHEIN SERIES' firmware can be upgrade via FIREWIRE, obtainable together with SDK and Demo Applications from our website.

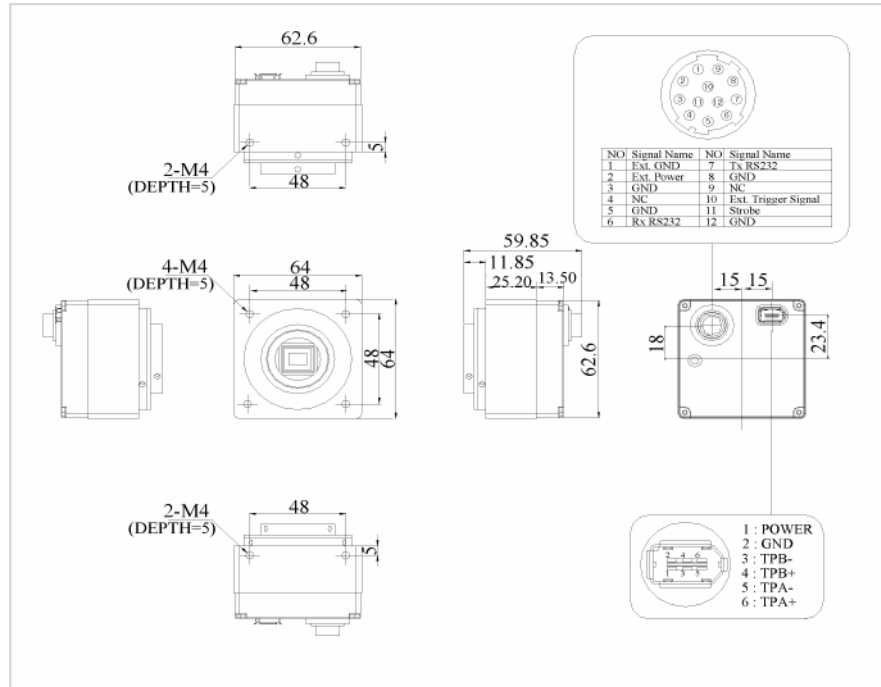


IMI TECHNOLOGY CO., LTD.

#2 Eun-Seok Bldg. 729-1 Yeoksam-Dong
Gangnam-Gu, Seoul 135-080, Korea
Tel : 82-2-539-6227 Fax : 82-2-539-6358
Email : w3master@imi-tech.com
Website : www.imi-tech.com

For Sales Inquiry and Technical Support ▶

Dimension (in mm)



Specifications



Features	IMC-202FT	IMC-147FT	IMC-142FT
Image Sensor	1/1.8" progressive scan CCD Sony ICX274AQ	2/3" progressive scan CCD Sony ICX285AK	1/2" progressive scan CCD Sony ICX205AK
Cell Size(um)	4.60 x 4.60	6.45 x 6.45	4.65 x 4.65
Effective pixels	2,010,000 pixels	1,450,000 pixels	1,450,000 pixels
Max Resolution	1600x1200	1388x1036	1388x1036
FPS at Max resolution	16 FPS(Format 7 mode 0)	20 FPS(Format 7 mode 0)	20 FPS(Format 7 mode 0)
Power Requirements	245mA max@+12VDC	265mA max@+12VDC	235mA max@+12VDC
Data path (Color)	8/12 bit Raw Bayer /16 YUV 4:2:2 (Optional)		
Shutter Speed	1usec~65sec		
Gain Control	0 ~ 25 dB		
Gamma	0.4~2.5		
External Trigger	Mode 0, 1, 2, 3, 4, 5, 14		
Signal to Noise ratio	56dB or better		
Video Out Interface	IEEE-1394 (400Mbps, Supply Voltage 8 ~ 30V DC from cable)		
1394 DCAM version	IIDC 1.31		
Lens Mount	C Mount		
Advanced Features	Pixel Binning via Format7 (2x2, 1x2) only for IMC-202FT / RS232(SIO)-Pass Through / Region of Interest via Format7 (sub-windowing 4x4) / One shot & Multi shot / Multi-Camera Auto Sync		
Regulations	FCC, CE, MIC, ROHS		
Operation Temperature	-5°C ~ 45°C		
Dimensions / Weight	64 (W) x 64 (H) x 60 (D) mm / approx. 300 gram		
Supplied Accessories	Lens cover, User's Manual, Demo Application		

Note : Specification may subject to change without notice.