

RHEIN SERIES

FIREWIRE DIGITAL CAMERA LINEUP

COLOR

Unbeatable Frame Rate
External Trigger Mode 0 ~ 5, 14
Multi Camera Auto Sync.
Fast Format 7 Partial Scan
Binning Mode Horizontal / Vertical



IMI RHEIN SERIES IMC-82FT / 72FT / 52FT /



Overview

The RHEIN SERIES' are Digital Area Scan CCD Cameras with FIREWIRE Interface and external Trigger for application requiring High Frame Rate at lower resolution. Equipped with Sony Progressive Area Scan CCD, RHEIN SERIES provide high image quality while 100% product testing ensures maximum stability and consistency.



*FIREWIRE INTERFACE WITH
EXTERNAL TRIGGER*



Applications

Machine Vision
Semi Con Inspection
F&B Inspection
Microscopy & Medical
Industrial Analysis
Bar Code, OCR, OCV

Features

The fully IIDC 1.31 compliant RHEIN SERIES' are cost effective vision solution with rich in features necessary for all applications which does not require very high resolution but high frame rate. External Trigger supports mode 0, 1, 2, 3, 4, 5 and 14 which is unique compared with others. All model supports multi camera auto sync which is ideal for application for multiple cameras.

Other advanced features such as one-shot and multi-shot capability. RS232 Pass through, 1us ~ 65s shutter speed, True Speed Format 7 Partial Scan, horizontal and vertical Binning mode 1x2, 2x2 would provides maximum flexibility for real applications. Latest RHEIN SERIES' firmware can be upgrade via FIREWIRE, obtainable together with SDK and Demo Applications from our website.

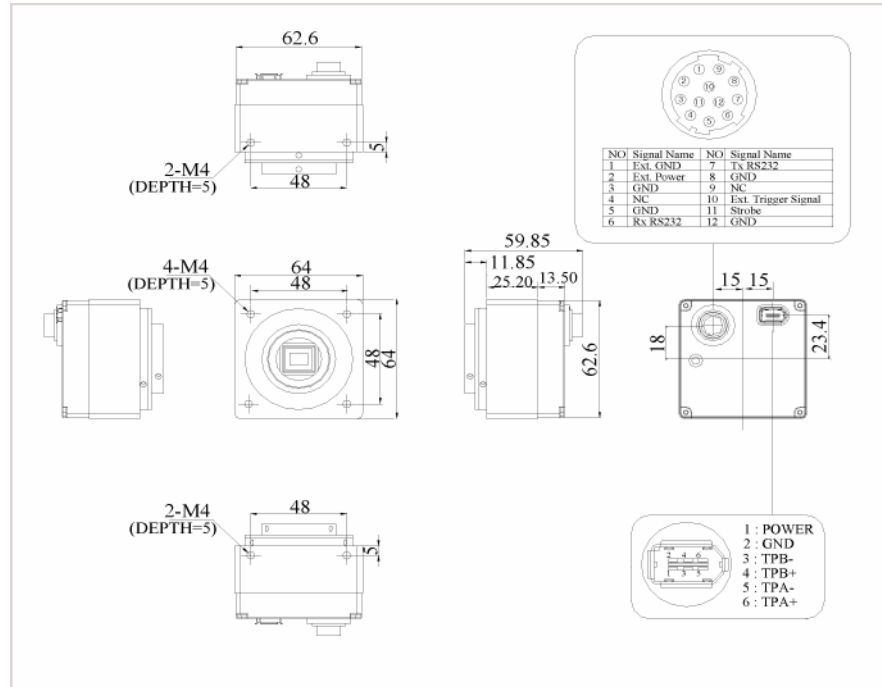


IMI TECHNOLOGY CO., LTD.

#2 Eun-Seok Bldg. 729-1 Yeoksam-Dong
Gangnam-Gu, Seoul 135-080, Korea
Tel : 82-2-539-6227 Fax : 82-2-539-6358
Email : w3master@imi-tech.com
Website : www.imi-tech.com

For Sales Inquiry and Technical Support ▶

Dimension (in mm)



Specifications



Features	IMC-82	IMC-72FT	IMC-52FT	IMC-42FT
Image Sensor	1/3" progressive scan CCD Sony ICX204AK	1/2" progressive scan CCD Sony ICX415AQ	1/2" progressive scan CCD Sony ICX414AQ	1/3" progressive scan CCD Sony ICX424AQ
Cell Size(um)	4.65 x 4.65	8.3 x 8.3	9.9 x 9.9	7.4 x 7.4
Effective pixels	800,000 pixels	455,124 pixels	330,000 pixels	330,000 pixels
Max Resolution	1024x768	780x580	640x480	640x480
FPS at Max resolution	30 FPS(Format 7 mode 0)	63 FPS(Format 7 mode 0)	90 FPS(Format 7 mode 0)	90 FPS(Format 7 mode 0)
Power Requirements	215mA max@+12VDC	240mA max@+12VDC	240mA max@+12VDC	240mA max@+12VDC
Data path (Color)	8/12 bit Raw Bayer /16 YUV 4:2:2 (Optional)			
Shutter Speed	1usec~65sec			
Gain Control	0 ~ 25 dB			
Gamma	0.4~2.5			
External Trigger	Mode 0, 1, 2, 3, 4, 5, 14			
Signal to Noise ratio	56dB or better			
Video Out Interface	IEEE-1394 (400Mbps, Supply Voltage 8 ~ 30V DC from cable)			
1394 DCAM version	IIDC 1.31			
Lens Mount	C Mount			
Advanced Features	RS232(SIO)-Pass Through / Region of Interest via Format7 (sub-windowing 4x4) / One shot & Multi shot / Multi-Camera Auto Sync			
Regulations	FCC, CE, MIC, ROHS			
Operation Temperature	-5°C ~ 45°C			
Dimensions / Weight	64 (W) x 64 (H) x 60 (D) mm / approx. 300 gram			
Supplied Accessories	Lens cover, User's Manual, Demo Application			

Note : Specification may subject to change without notice.