

Update!

# Pearl CMOS Series

FireWire Digital Camera Lineup

Cost Effective

CMOS  
Ultra Compact  
YUV / AWB / Ext. Trigger  
Auto Sync. / LUT



3Mega TO VGA (16 fps at 2048x1536)



## IMI PEARL CMOS SERIES IMX-30FC/16FC/13FC

### Overview

The PEARL CMOS Series is comprised of rich features in an ULTRA COMPACT form factor with a wide range of resolutions that are unrivaled by any other camera supplier. The small form factor provides a minimum of space and weight to benefit challenging installations and applications. With the new addition of higher resolution cameras supporting up to 2 Mega Pixels, form factor is no longer a limit to most applications. Every unit has passed our rigorous testing procedure to ensure reliability; even in mission critical applications.

*FIREWIRE WITH EXTERNAL TRIGGER  
INDUSTRIAL LOCK SCREW CONNECTOR*

### Features

The fully compliant IIDC 1.31 CMOS Pearl Series cameras are cost effective vision solutions rich in the features and wide range of resolutions that are necessary for most applications. External Trigger supports mode 0, 1, 2, 3, 4, 5, 14 and 15 which are unique compared with cameras from other vendors. All model support multi camera auto sync which is ideal for application for multiple cameras. Other advanced features such as one-shot and multi-shot capability, RS232 Pass through, 1us ~ 3600s shutter speed, Fast Format 7 Partial Scan, Memory Save/Load, and LUT(4point, user define) provide maximum flexibility for real applications. Pearl Series cameras are equipped with an industrial screw lock cable connector to ensure a stable camera connection. The latest Pearl Series firmware, which can be upgraded via FIREWIRE, along with a free SDK and Demo Applications can be obtained from our website.



### Applications

Machine Vision & ITS(LPR)

Semi Con Inspection

F&B Inspection

Microscopy & Medical

Industrial Analysis

Bar Code, OCR, OCV



IMI TECHNOLOGY CO., LTD.

#2 Eun-Seok Bldg. 729-1 Yeoksam-Dong  
Gangnam-Gu, Seoul 135-080, Korea

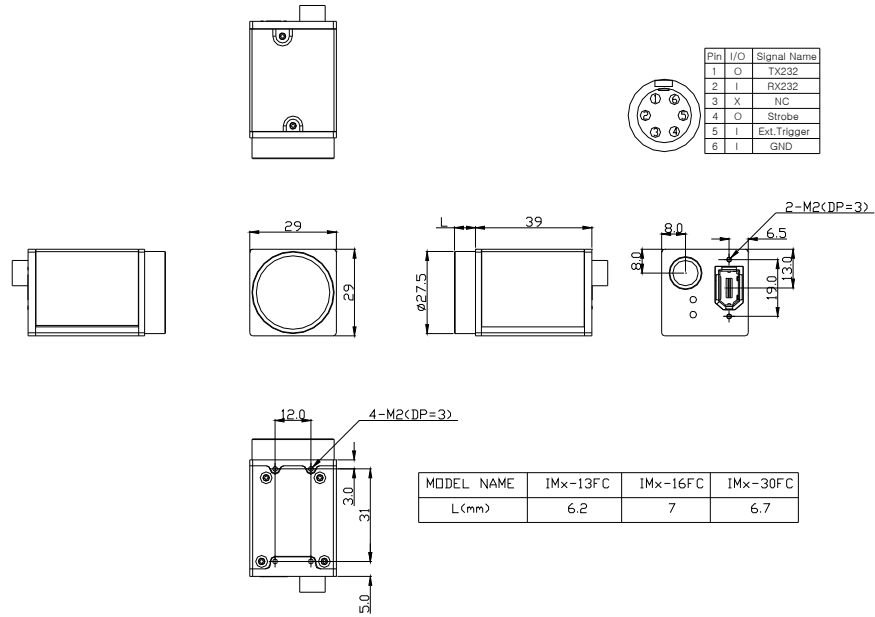
Tel : 82-2-527-9800 Fax : 82-2-527-9900

Email : sales@imi-tech.com

Website : www.imi-tech.com

For Sales Inquiry and Technical Support ▶

## Dimension (in mm)



## Specifications



Features	IMC-30FC	IMB-16FC	IMC-13FC	IMB-13FC
Image Sensor	1/2" MT9T31	1/2" MT9M001	1/3" MT9V022177ATC	1/3" MT9V022177ATM
Picture Size	2048(H) x 1536(V)	1280(H) x 1024(V)	752(H) x 480(V)	752(H) x 480(V)
Data Output	YUV422, Y8, Y16	Y8, Y16	YUV422, Y8, Y16	Y8, Y16
Pixel Depth	10bit	10bit	10bit	10bit
Pixel Size	3.20 x 3.20 um	5.20 x 5.20 um	6.00 x 6.00 um	6.00 x 6.00 um
FPS at Max resolution	10fps	24fps	60fps	60fps
Scanning System	Rolling Shutter	Rolling Shutter	Global Shutter	Global Shutter
Binning	2x2	Not supported	Not supported	2x2
Format7	Partial Scan (Unit : 4x4)			
External Trigger	Mode 0 (TTL)			
Strobe Output	Active Low or High, Supports Normal Mode or Trigger Mode (TTL)			
Memory Save/Load	16 Channels(0:factory, 1~4:feature, 5~15:mode/feature)			
One-shot/Multi-shot	1 Shot ~65,535 Shots			
SIO (RS-232)	IIC v1.31version : Pass Through or IMI-Tech Command			
Digital Interface	IEEE 1394a (6pin) 1 Port			
Transfer Rate	400 Mbps			
Shutter	63usec~1sec	60usec~500ms	93usec~100ms	93usec~100ms
Gain Control	0~12 dB (Manual/ Auto)			
S/N Ratio	43dB	45dB	45dB	45dB
Control Function	Brightness, Sharpness, Gamma, Auto-Exposure, Shutter, Gain, Pan/Tilt, Auto White Balance only Color), U/B,V/R, Hue/G (only Color)			
Lens Mount	C / CS Mount			
Supply Voltage & Power	Less than 2 Watts (@ 12V DC)			
Dimensions / Weight	29 (W) x 29 (H) x 39 (D) mm / approx. 63 gram			

Note : Specification may be subject to change without notice.